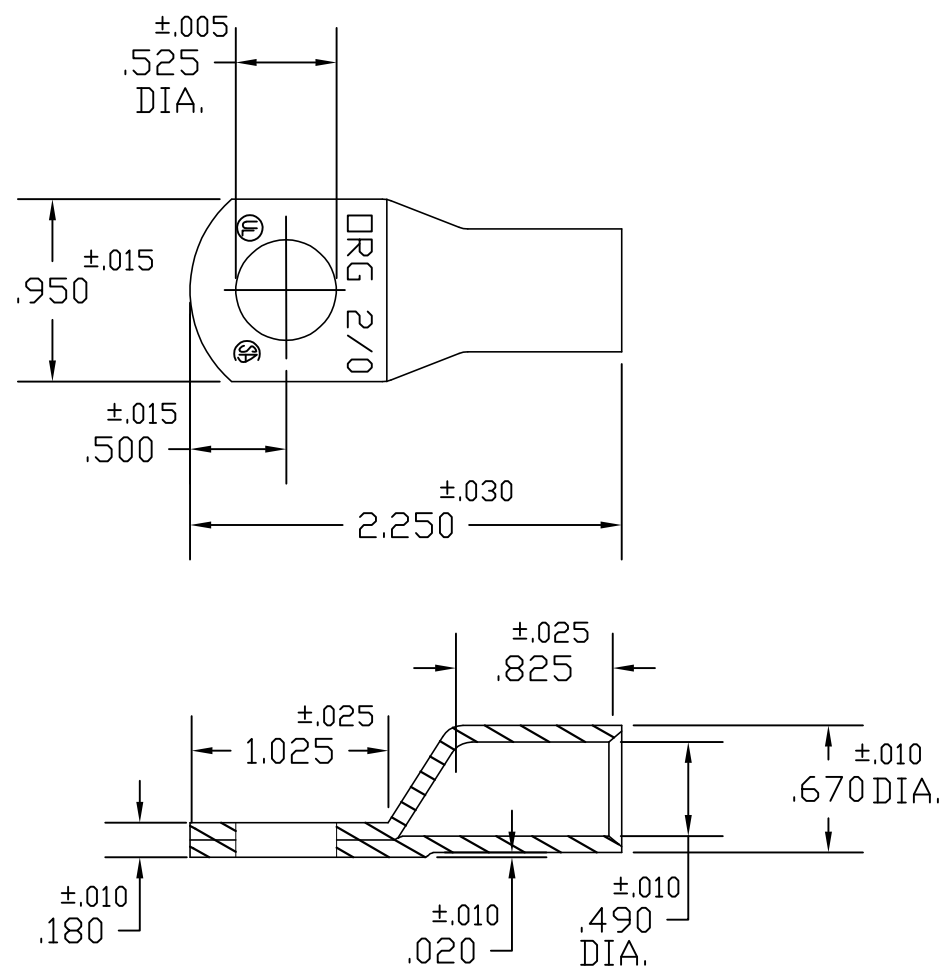


THIS DRAWING IS UNPUBLISHED. RELEASED FOR PUBLICATION
 © COPYRIGHT BY TYCO ELECTRONICS CORPORATION. ALL RIGHTS RESERVED.

LOC	DIST	REVISIONS					
		P	LTR	DESCRIPTION	DATE	DWN	APVD
G	50		B	REV PER ECR 07-013724	13JUN07	JR	DD



ACTIVE	20509	STANDARD	TIN PLATE	1526061-2
STATUS	AET P/N	PACKAGING	FINISH	PART NUMBER

THIS DRAWING IS A CONTROLLED DOCUMENT.		DWN D.A.A 1/23/01	Tyco Electronics Corporation Harrisburg, PA 17105-3608		
DIMENSIONS: INCHES		CHK H.D.F 1/23/01	NAME 2/0 SUPER LUG		
TOLERANCES UNLESS OTHERWISE SPECIFIED:		APVD H.D.F 1/23/01	PRODUCT SPEC -		
<ul style="list-style-type: none"> 0 PLC ± - 1 PLC ± - 2 PLC ± - 3 PLC ± - 4 PLC ± - ANGLES ± - 		APPLICATION SPEC -	SIZE A3	CAGE CODE 00779	DRAWING NO G-1526061
MATERIAL COPPER ASTM B-75		FINISH -	WEIGHT -	RESTRICTED TO -	
CUSTOMER DRAWING			SCALE 1:1	SHEET 1 OF 1	REV B